



ASSEMBLY INSTRUCTION

ASTRAL Gaming Chair

ITEM CODE 74700

Imported by Amart Furniture Pty Ltd, Qld, Brisbane Australia.

For any assistance with assembly or for missing parts please phone Amart Furniture, Customer Service Free call 1800 351 084

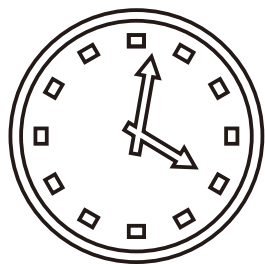


Imported by Amart Furniture Pty Ltd, Qld, Brisbane Australia.
For any assistance with assembly or for missing parts please phone
Amart Furniture, Customer Service Free call 1800 351 084

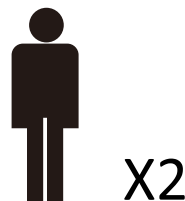
PRE-ASSEMBLY PREPARATION

Before you start:

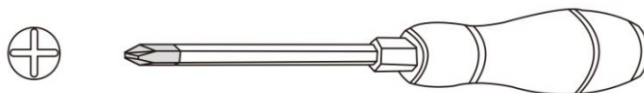
1. Choose a clean, level, spacious assembly area. Avoid hard surfaces that may damage the product
2. Take care when lifting. Product should be assembled as near as possible to the point of use
3. Ensure that you have all required contents for complete assembly
4. Always read the assembly instructions carefully before beginning assembly.
5. Keep all hardware parts and packaging out of reach of small children.
6. Do not over tighten the screws and bolts as this may damage the threads



ALLOW 20 MINUTES

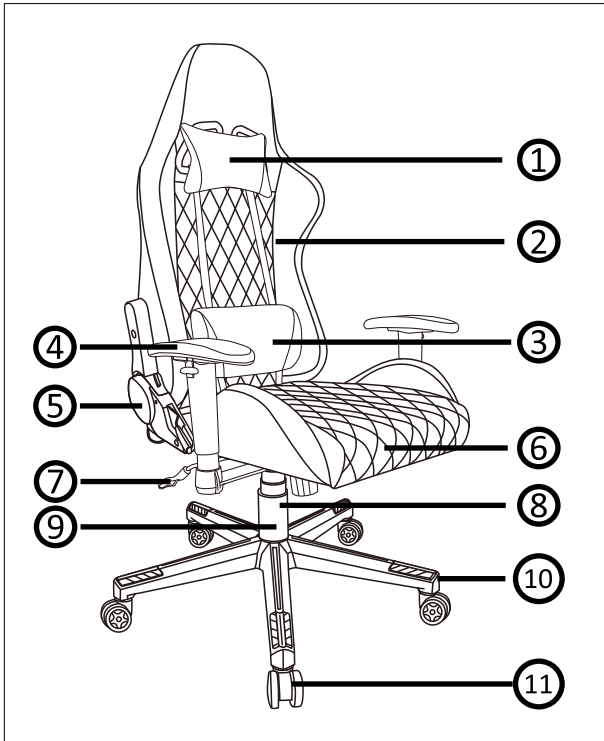


PEOPLE REQUIRED

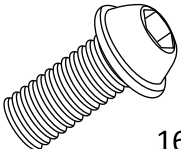


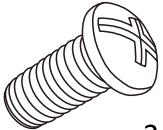
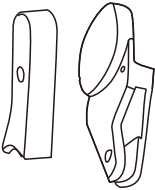
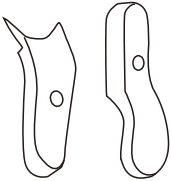
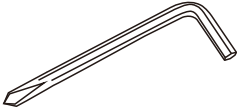


ADDITIONAL TOOLS REQUIRED

PARTS LIST

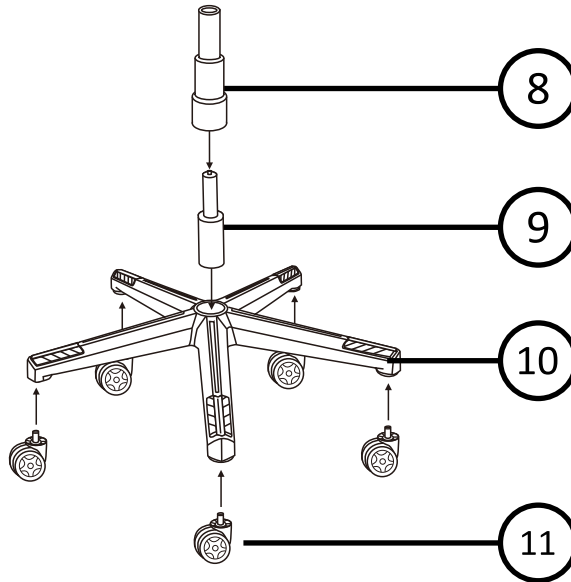


1	Headrest
2	Back
3	Backrest
4	Armrest
5	Regulator
6	Seat
7	Mechanism
8	Three cups
9	Gas lift
10	Base
11	Castor

<p>Screw</p>  <p>A 16pcs M8X20mm</p>	<p>Washer</p>  <p>B 4pcs φ 17X φ 8.5X1mm</p>	<p>Screw</p>  <p>C 4pcs M5X8mm</p>	<p>Screw</p>  <p>D 2pcs M5X10mm</p>
<p>Cover 1</p>  <p>E 1pc</p>	<p>Cover 2</p>  <p>F 1pc</p>	<p>Screwdriver</p>  <p>G 1pc</p>	

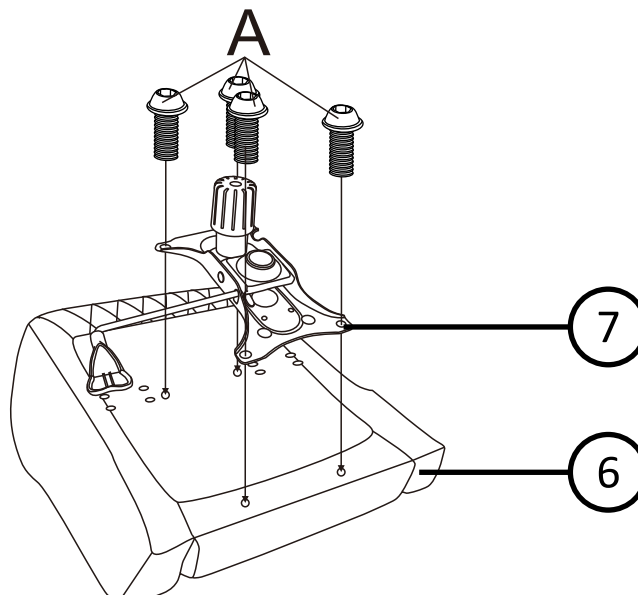
STEP 1:

1. Insert castor 11 into base 10.
2. Insert gas lift 9 into base 10, then place three cups 8 on gas lift 9.



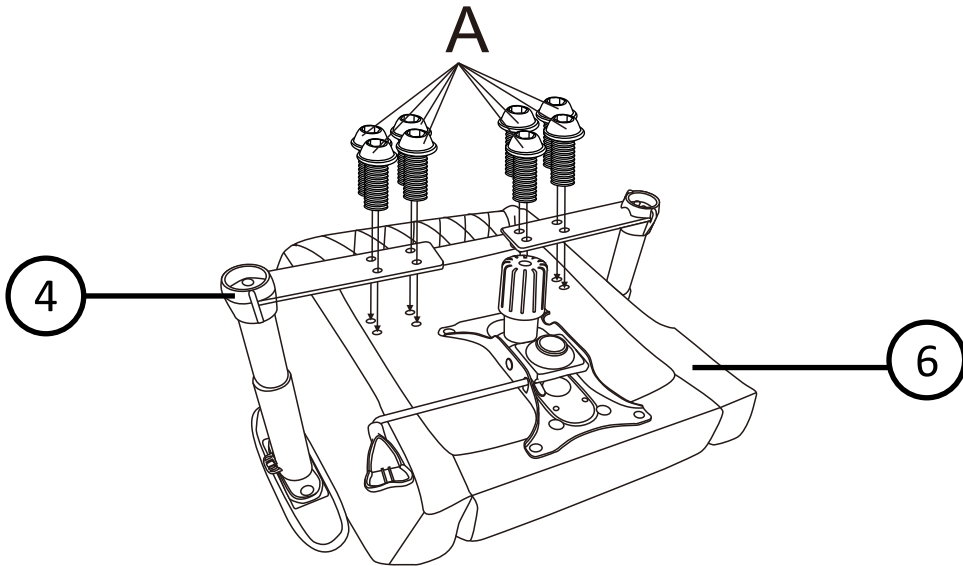
STEP 2:

- Connect mechanism 7 to seat 6, twist screw A and tighten with screwdriver G.



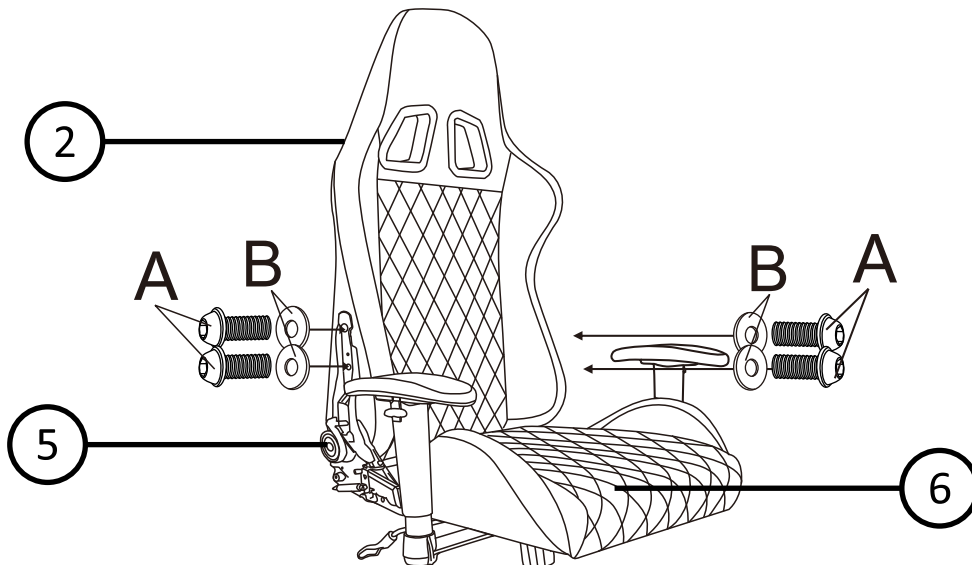
STEP 3:

Connect armrest 4 to seat 6. Twist in screw A and fasten with screwdriver G.



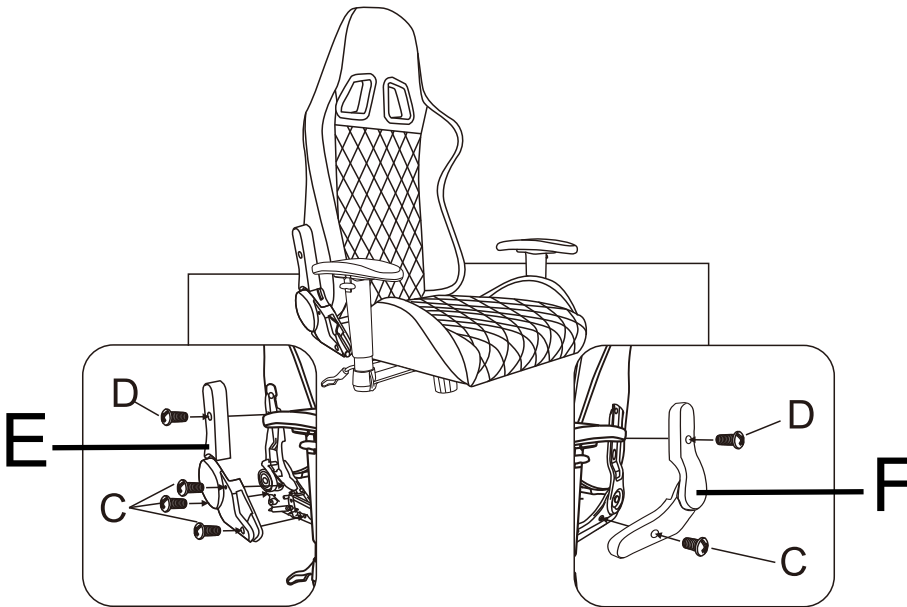
STEP 4:

Connect regulator 5 to back 2. Attach back 2 to frame 6 using Screws A and Washer B. Tighten with screwdriver G.



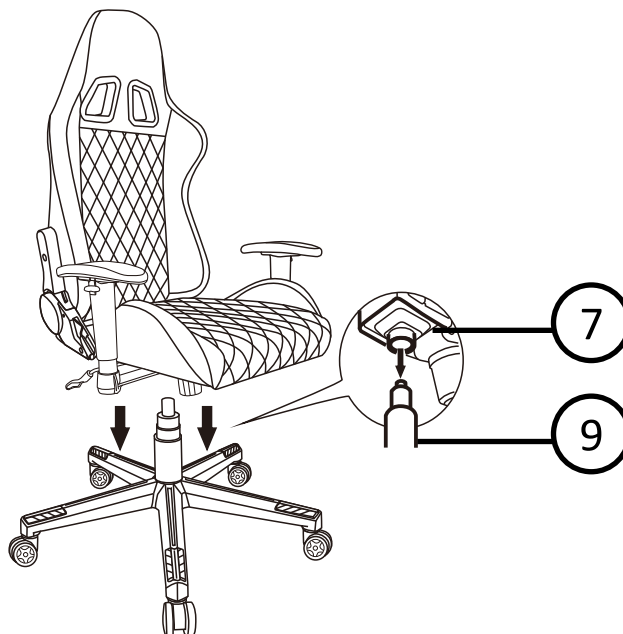
STEP 5:

Place covers E & F over regulator and frame. Secure with screws D and C using screwdriver G.



STEP 6:

Place mechanism 7 on gas lift 9.



STEP 7: Installation method for the top pillow and lower pillow.

Top pillow installed

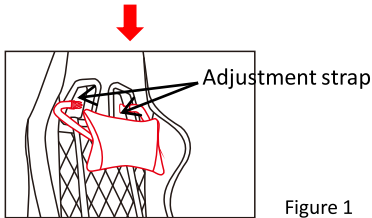


Figure 1

1. Pass both ends of the adjustment strap through the seat back hole.

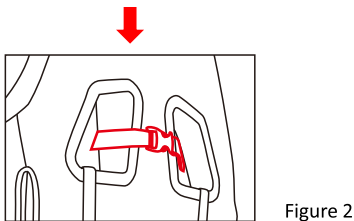


Figure 2

2. Fasten both ends of the adjustment strap.



Lower pillow installed

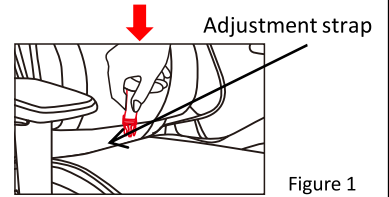


Figure 1

1. Move the adjustment strap across the back of the chair where it is attached to the seat.

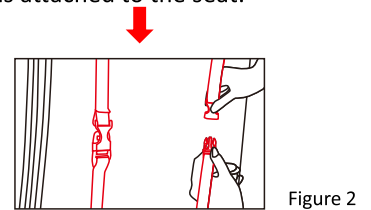
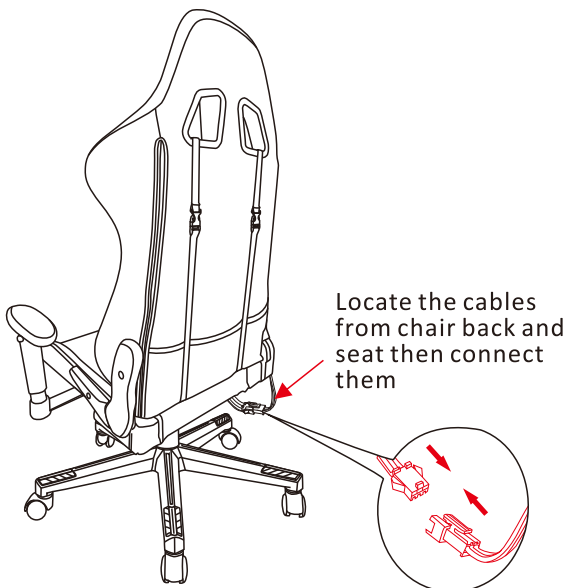


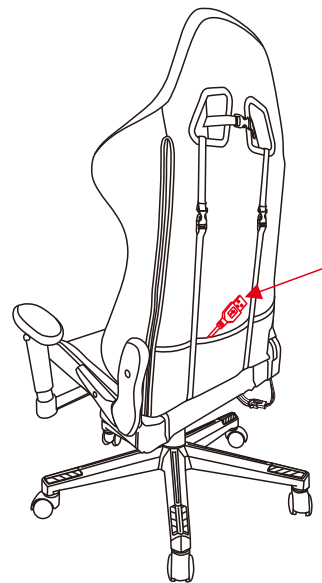
Figure 2

2. Pull the adjustment strap and fasten it. Repeat the above operation for the second adjustment strap.

STEP 8: Connecting the lights

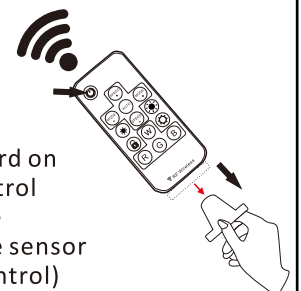


Locate the cables from chair back and seat then connect them

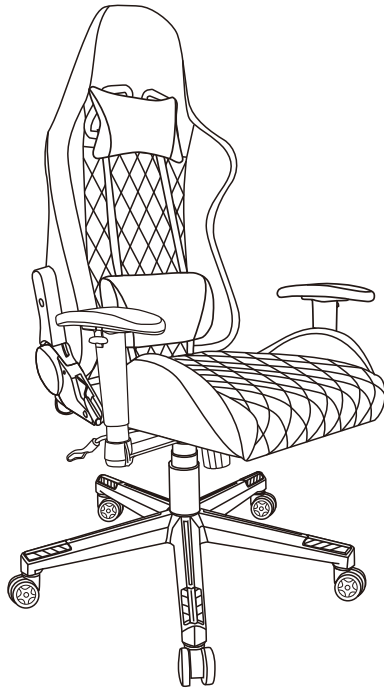


USB Power cord is located in back pocket. Remove plug from pocket and connect to power source to operate lights. Disconnect cable from power supply when not in use.

Remove the transparent card on the back of the remote control for the first time. (To get the electronic chip to touch the sensor and activate the remote control)



STEP 9:
ASSEMBLY IS COMPLETE



Electric Furniture Warning

READ THESE INSTRUCTIONS THOROUGHLY BEFORE USE:

DANGER: TO REDUCE THE RISK OF ELECTRIC SHOCK:

Always unplug from electric outlet before cleaning or use.

WARNING: RISK OF INJURY

Keep children away from any moving parts or cables.

CAUTION: Do not allow children to play on this electric furniture or operate the powered mechanism. Only the occupant should operate it.

POWER CORD SAFETY

WARNING: Unplug power cord when not in use and store out of reach of children.

Take care when moving furniture, that wall and transformer cords are not under the base and castors or they may get damaged.

NEVER OPERATE ELECTRIC FURNITURE IF IT HAS A DAMAGED CORD OR PLUG.

WARNING: TO REDUCE RISK OF BURNS, FIRE, ELECTRIC SHOCK OR PERSONAL INJURY TO PERSONS:

- Use only for its intended purpose
- Only the occupant should activate the control switch
- Never operate with more than one person occupying seat

CARE AND MAINTENANCE

OFFICE CHAIR

DO NOT REMOVE THIS LABEL

- DO NOT STAND ON THIS CHAIR-DO NOT USE THIS CHAIR AS STEP LADDER.
- USE THIS PRODUCT ONLY FOR SEATING ONE PERSON AT A TIME.
- DO NOT USE THIS CHAIR UNLESS ALL BOLTS, SCREWS AND KNOBS ARE FIRMLY SECURED.
- AT LEAST EVERY 4 MONTHS, CHECK ALL BOLTS, SCREWS AND KNOBS TO BE SURE THEY ARE TIGHT.
- IF PARTS ARE MISSING, BROKEN, DAMAGED OR WORN, STOP USE THE PRODUCT UNTIL REPAIRS ARE MADE. USING FACTORY AUTHORIZED PARTS.
- FAILURE TO FOLLOW THESE WARNINGS COULD RESULT IN SERIOUS INJURY.